



Name _____ Class _____ Date _____

1 A little girl was crying for her mother. Her teacher could not distract or comfort her.

How was the girl feeling?

A homeless
B hard of hearing
C homeward
D homesick

2 A story about a cat who wants to fly an airplane would have a silly _____.

A airplane
B setting
C plot
D play



3 If characters change places in a story, one or both of them may learn a lesson.

4 "The plot thickens" means _____.

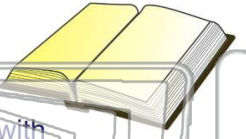



PREVIEW

Please [Sign In](#) or [Sign Up](#) to download the printable version of this worksheet

7 _____


A plant
B plan
C plug
D put up with



_____ someone will spot it. They think bears may be nearby.

The **plot** of this story is _____.

A how to survive
B how to have fun
C how to bake a cake
D how to tame bears



9 A lion gets a thorn in his foot. A little mouse is afraid of the lion. The mouse helps the lion pull the thorn out. Then the lion promises to protect the mouse.

The **plot** of this story teaches about _____.

A being afraid
B cooperation
C the food chain
D lives of animals

10 King Midas loved gold. He wished every thing he touched would turn to gold. He got his wish but he touched his daughter and she turned to gold.

What is the **plot** of this story?

A Some gold is nice.
B Some people are too greedy.
C Daughters are not real.
D Kings are not real.



Name _____ Class _____ Date _____

1 A little girl was crying for her mother. Her teacher could not distract or comfort her.

How was the girl feeling?

- A homeless
- B hard of hearing
- C homeward
- D homesick

2 A story about a cat who wants to fly an airplane would have a silly

- A airplane
- B setting
- C plot
- D play



3 If characters change places in a story, one or both of them may learn a lesson.

4 "The plot thickens" means _____.

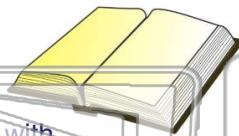


PREVIEW

Please [Sign In](#) or [Sign Up](#) to download the printable version of this worksheet

7 _____

- A plant
- B plan
- C plug
- D put up with



_____ someone will spot it. They think bears may be nearby.

The **plot** of this story is _____.

- A how to survive
- B how to have fun
- C how to bake a cake
- D how to tame bears



9 A lion gets a thorn in his foot. A little mouse is afraid of the lion. The mouse helps the lion pull the thorn out. Then the lion promises to protect the mouse.

The **plot** of this story teaches about _____.

- A being afraid
- B cooperation
- C the food chain
- D lives of animals

10 King Midas loved gold. He wished every thing he touched would turn to gold. He got his wish but he touched his daughter and she turned to gold.

What is the **plot** of this story?

- A Some gold is nice.
- B Some people are too greedy.
- C Daughters are not real.
- D Kings are not real.