




Name _____ Class _____ Date _____

1 Jim's dog had a litter of **5 puppies**, **2 brown** and **3 black**.
What fraction shows how many of the puppies in the litter are **brown**?



A $\frac{3}{5}$ B $\frac{2}{5}$ C $\frac{2}{3}$ D $\frac{5}{2}$

2 Margaret bought **3 shirts** and **5 pair of socks**. What fraction shows how many of the items she bought are **shirts**?



A $\frac{3}{5}$ B $\frac{2}{5}$ C $\frac{5}{8}$ D $\frac{3}{8}$

3 Abby made a necklace using **8 round** beads and **9 square** beads. Which statement is **true** about her necklace?

4 Jennifer has **10 coins**. She has **3 pennies** and **7 nickels**. What fraction



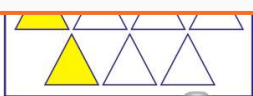
5



PREVIEW

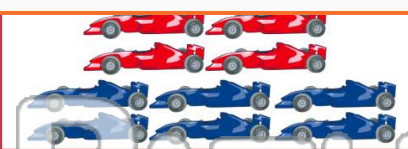
Please [Sign In](#) or [Sign Up](#) to download the printable version of this worksheet

7 of the shapes is **shaded**?




A $\frac{2}{5}$ B $\frac{5}{2}$ C $\frac{5}{7}$ D $\frac{2}{7}$

8



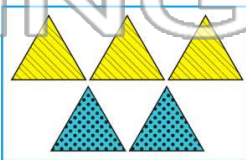
A $\frac{4}{6}$ B $\frac{4}{10}$ C $\frac{6}{10}$ D $\frac{10}{4}$

9 Mark ordered **6 pizzas**. **One** of the pizzas had pepperoni. Which statement is **true**?



A $\frac{5}{6}$ of the pizzas had pepperoni.
B $\frac{1}{6}$ of the pizzas had pepperoni.
C $\frac{6}{1}$ of the pizzas had pepperoni.

10 How many of the triangles have **dots**?




A $\frac{3}{2}$ B $\frac{2}{3}$ C $\frac{2}{5}$ D $\frac{3}{5}$



Name _____ Class _____ Date _____

1 Jim's dog had a litter of **5 puppies**, **2 brown** and **3 black**.
What fraction shows how many of the puppies in the litter are **brown**?



A $\frac{3}{5}$ B $\frac{2}{5}$ C $\frac{2}{3}$ D $\frac{5}{2}$

2 Margaret bought **3 shirts** and **5 pair of socks**. What fraction shows how many of the items she bought are **shirts**?



A $\frac{3}{5}$ B $\frac{2}{5}$ C $\frac{5}{8}$ D $\frac{3}{8}$

3 Abby made a necklace using **8 round** beads and **9 square** beads. Which statement is **true** about her necklace?

4 Jennifer has **10 coins**. She has **3 pennies** and **7 nickels**. What fraction




5



PREVIEW

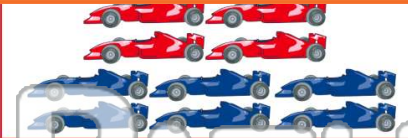
Please [Sign In](#) or [Sign Up](#) to download the printable version of this worksheet

7 of the shapes is **shaded**?




A $\frac{2}{5}$ B $\frac{5}{2}$ C $\frac{5}{7}$ D $\frac{2}{7}$

8



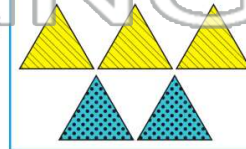
A $\frac{4}{6}$ B $\frac{4}{10}$ C $\frac{6}{10}$ D $\frac{10}{4}$

9 Mark ordered **6 pizzas**. **One** of the pizzas had pepperoni. Which statement is **true**?



A $\frac{5}{6}$ of the pizzas had pepperoni.
B $\frac{1}{6}$ of the pizzas had pepperoni.
C $\frac{6}{1}$ of the pizzas had pepperoni.

10 How many of the triangles have **dots**?



A $\frac{3}{2}$ B $\frac{2}{3}$ C $\frac{2}{5}$ D $\frac{3}{5}$