



Name _____ Class _____ Date _____

1 The **product** of 42×83 is **498**.

True or false?

- A true
- B false



2 $69 \times 71 = 4,899$

- A true
- B false



3 $19 \times 64 = ?$

- A 190
- B 1,140

4 $12 \times 22 =$

- A 48
- B 240
- C 484
- D 264



PREVIEW

7 Please [Sign In](#) or [Sign Up](#) to download the printable version of this worksheet

- C 3,680
- D 3,772

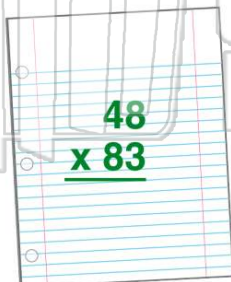


- B 982
- C 2,312
- D 2,040



9 48×83

- A 3,984
- B 3,840
- C 1,056
- D 528



10 $21 \times 57 =$

- A 252
- B 1,050
- C 147
- D 1,197



ANSWER KEY

The **product** of 42×83 is 498.

True or false?

- A true
- B false



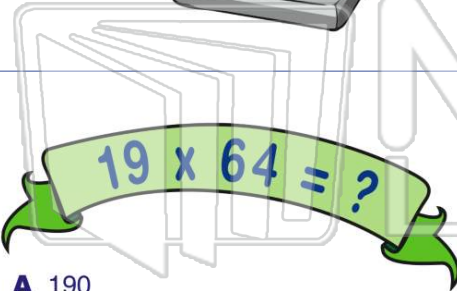
(b)

$$69 \times 71 = 4,899$$

- A true
- B false



(a)



- A 190
- B 1,140
- C 1,216

(c)

$$12 \times 22 = \square$$

- A 48
- B 240
- C 484
- D 264



(d)



PREVIEW

Please [Sign In](#) or [Sign Up](#) to download the printable version of this worksheet

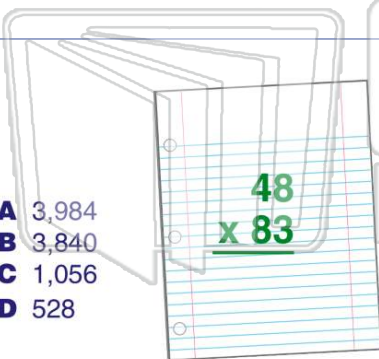
D 3,772

x		4	1

- C 2,312
- D 2,040



- A 3,984
- B 3,840
- C 1,056
- D 528



(a)

$$21 \times 57 = \square$$

- A 252
- B 1,050
- C 147
- D 1,197

(d)