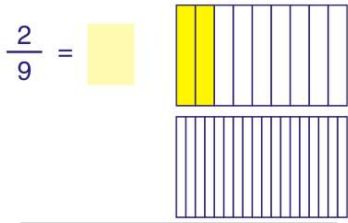




Equivalent Fractions

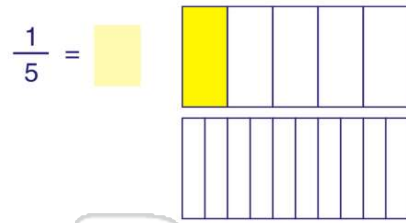
Name _____ Class _____ Date _____

1



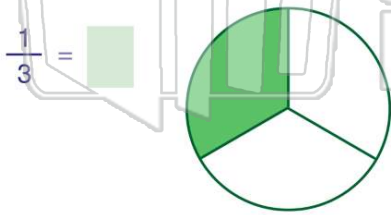
- A $\frac{2}{18}$ B $\frac{3}{18}$ C $\frac{4}{18}$ D $\frac{5}{18}$

2

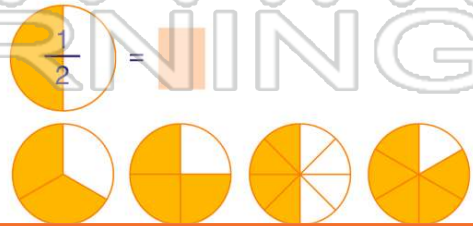


- A $\frac{2}{10}$ B $\frac{3}{10}$ C $\frac{1}{10}$ D $\frac{5}{10}$

3



4



5



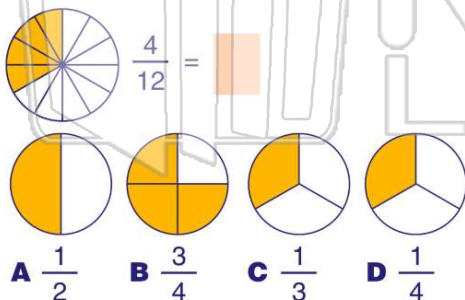
PREVIEW

7

Please [Sign In](#) or [Sign Up](#) to download the printable version of this worksheet

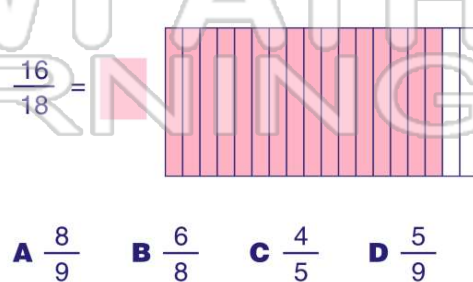
9

- A $\frac{12}{28}$ B $\frac{6}{12}$ C $\frac{7}{10}$ D $\frac{13}{21}$



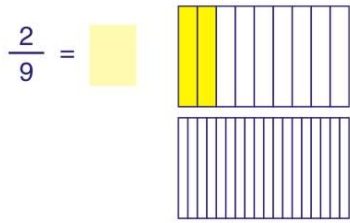
10

- A $\frac{1}{2}$ B $\frac{2}{3}$ C $\frac{5}{9}$ D $\frac{1}{3}$

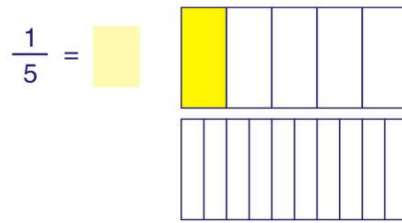




ANSWER KEY



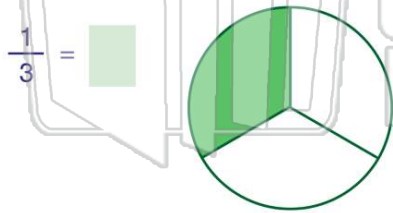
(C)



(a)

- A $\frac{2}{18}$ B $\frac{3}{18}$ C $\frac{4}{18}$ D $\frac{5}{18}$

- A $\frac{2}{10}$ B $\frac{3}{10}$ C $\frac{1}{10}$ D $\frac{5}{10}$



(a)



(C)

- A 9 B 9 C 6 D 1

- A 2 B 3 C 4 D 5

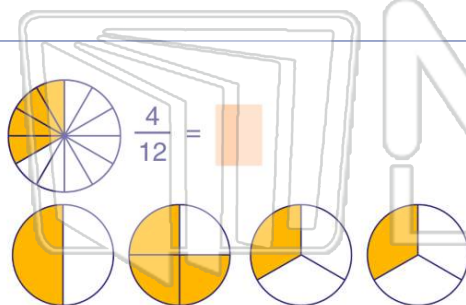


PREVIEW

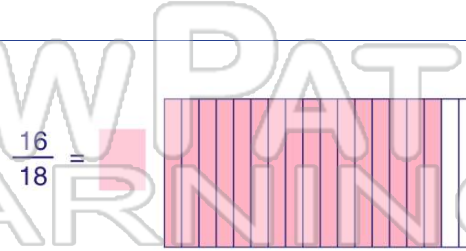
Please [Sign In](#) or [Sign Up](#) to download the printable version of this worksheet

- A $\frac{12}{28}$ B $\frac{6}{12}$ C $\frac{7}{10}$ D $\frac{13}{21}$

- A $\frac{1}{2}$ B $\frac{2}{3}$ C $\frac{5}{9}$ D $\frac{1}{3}$



(C)



(a)

- A $\frac{1}{2}$ B $\frac{3}{4}$ C $\frac{1}{3}$ D $\frac{1}{4}$

- A $\frac{8}{9}$ B $\frac{6}{8}$ C $\frac{4}{5}$ D $\frac{5}{9}$