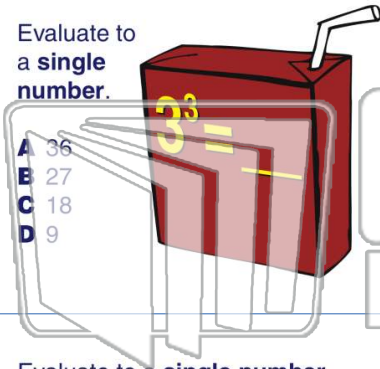




Name _____ Class _____ Date _____

1 Evaluate to a **single number**.

- A 36
- B 27
- C 18
- D 9



2 Evaluate to a **single number**.

$$9^3 = 9 \times 9 \times 9 = \underline{\hspace{2cm}}$$

- A 18
- B 81
- C 27
- D 729

3 Evaluate to a **single number**.

$$4^4 = 4 \times 4 \times 4 \times 4 = \underline{\hspace{2cm}}$$

4 Evaluate to a **single number**.

$$7^3 = 7 \times 7 \times 7 = \underline{\hspace{2cm}}$$

5

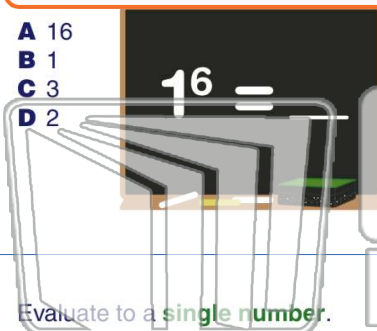


PREVIEW

Please [Sign In](#) or [Sign Up](#) to download the printable version of this worksheet

7

- A 16
- B 1
- C 3
- D 2

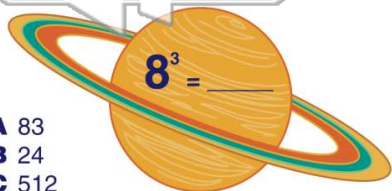


$$12^2 = 12 \times 12 = \underline{\hspace{2cm}}$$

- A 122
- B 36
- C 15
- D 144

9 Evaluate to a **single number**.

- A 83
- B 24
- C 512
- D 16



10 Evaluate to a **single number**.

$$6^4 = 6 \times 6 \times 6 \times 6 = \underline{\hspace{2cm}}$$

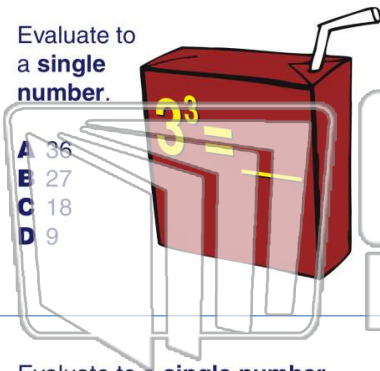
- A 1,296
- B 64
- C 24
- D 36



Name _____ Class _____ Date _____

1 Evaluate to a **single number**.

- A 36
- B 27
- C 18
- D 9



2 Evaluate to a **single number**.

$9^3 = 9 \times 9 \times 9 = \underline{\hspace{2cm}}$

- A 18
- B 81
- C 27
- D 729

3 Evaluate to a **single number**.

$4^4 = 4 \times 4 \times 4 \times 4 = \underline{\hspace{2cm}}$

4 Evaluate to a **single number**.

$7^3 = 7 \times 7 \times 7 = \underline{\hspace{2cm}}$

5

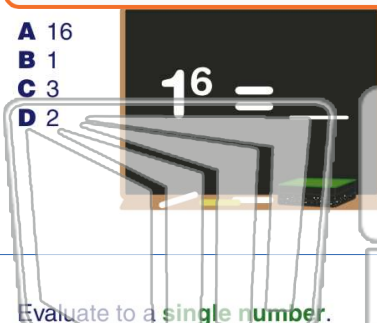


PREVIEW

Please [Sign In](#) or [Sign Up](#) to download the printable version of this worksheet

7

- A 16
- B 1
- C 3
- D 2

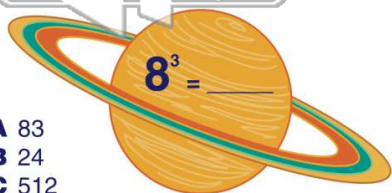


$12^2 = 12 \times 12 = \underline{\hspace{2cm}}$

- A 122
- B 36
- C 15
- D 144

9 Evaluate to a **single number**.

- A 83
- B 24
- C 512
- D 16



10 Evaluate to a **single number**.

$6^4 = 6 \times 6 \times 6 \times 6 = \underline{\hspace{2cm}}$

- A 1,296
- B 64
- C 24
- D 36