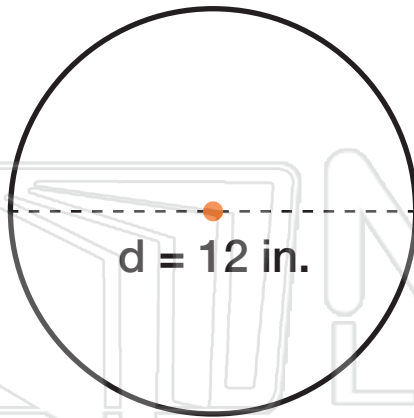




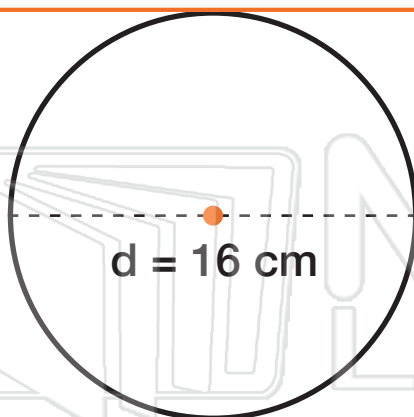
Name _____ Class _____ Date _____

Find the area of each circle. $A = \pi r^2$



PREVIEW

Please [Sign In](#) or [Sign Up](#) to download the printable version of this worksheet



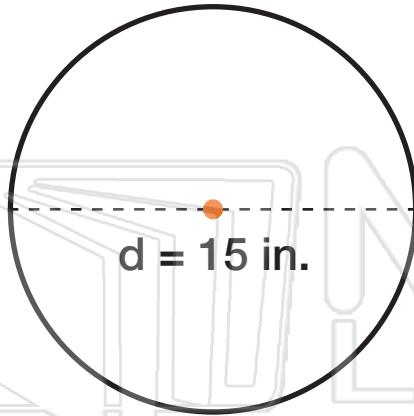
$A \approx$ _____

$A \approx$ _____



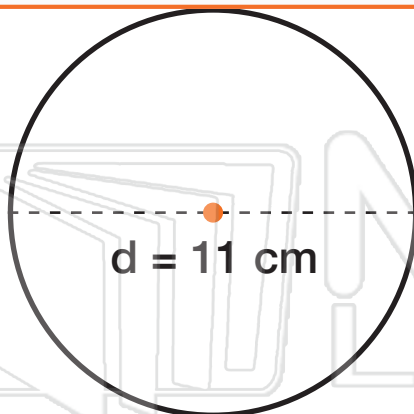
Name _____ Class _____ Date _____

Find the area of each circle. $A = \pi r^2$



PREVIEW

Please [Sign In](#) or [Sign Up](#) to download the printable version of this worksheet



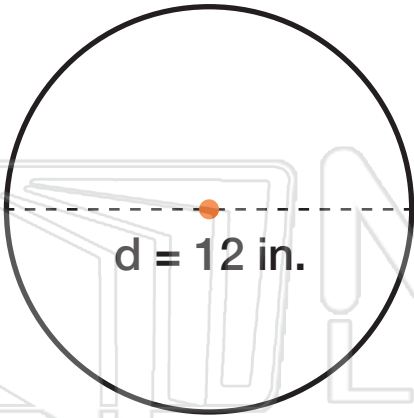
$A \approx$ _____

$A \approx$ _____



Name _____ Class _____ Date _____

Find the area of each circle. $A = \pi r^2$

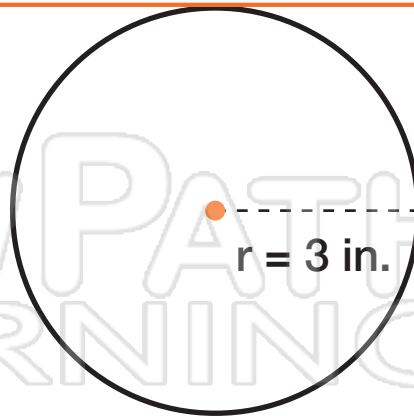
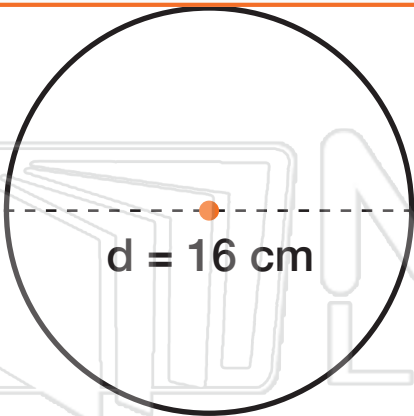


$A = 113.04 \text{ in}^2$

$A = 50.24 \text{ in}^2$

A decorative banner featuring various educational icons (cube, microscope, protractor, flask, globe, atom, pie chart, bar graph, calculator) and a row of diverse children standing on a green patch of grass. Below the banner, the word "PREVIEW" is written in large, bold, blue and orange letters.

Please [Sign In](#) or [Sign Up](#) to download the printable version of this worksheet



$A \approx 200.96 \text{ cm}^2$

$A \approx 28.26 \text{ in}^2$

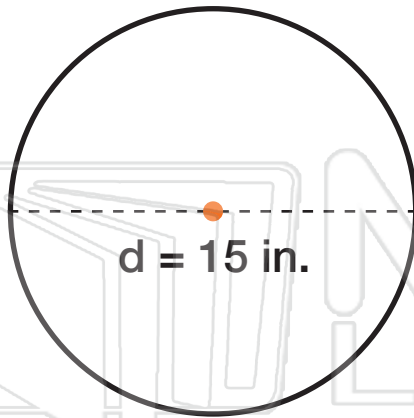


Area of Circles - Answer Key

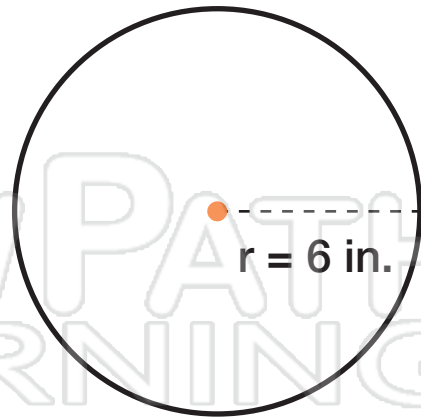
Math

Name _____ Class _____ Date _____

Find the area of each circle. $A = \pi r^2$



$$A \approx 176.63 \text{ in}^2$$

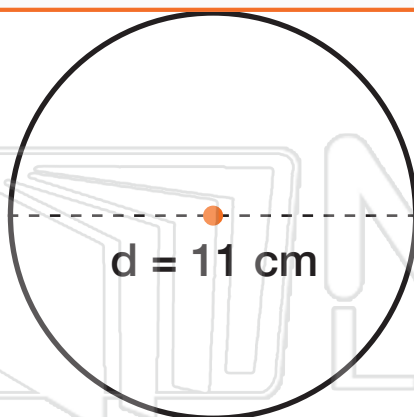


$$A \approx 113.04 \text{ in}^2$$

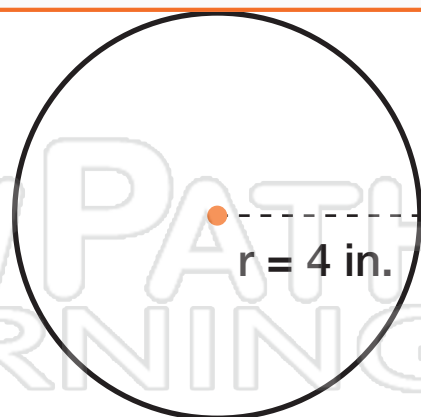


PREVIEW

Please [Sign In](#) or [Sign Up](#) to download the printable version of this worksheet



$$A \approx 94.99 \text{ cm}^2$$



$$A \approx 50.24 \text{ in}^2$$