



Name _____ Class _____ Date _____

Use one of the words to fill in the answer.

play glue plant glass plum

1. I ate a purple _____.



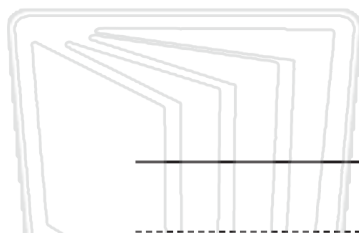


2. _____

PREVIEW

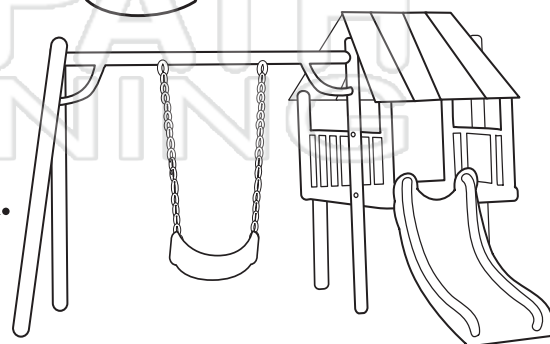
Please [Sign In](#) or [Sign Up](#) to download the printable version of this worksheet

4. Our _____ is growing.





5. Let's _____ at the park.





Name _____ Class _____ Date _____

Use one of the words to fill in the answer.

play glue plant glass plum

1. I ate a purple _____.

plum



2. _____



3. I _____

PREVIEW

Please [Sign In](#) or [Sign Up](#) to download the printable version of this worksheet

4. Our _____ is growing.

plant



5. Let's _____ at the park.

play

