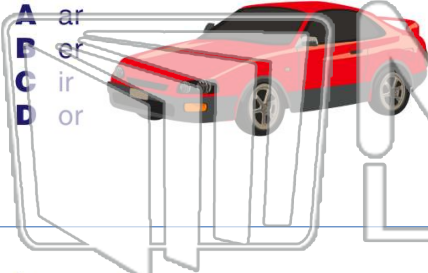




Name \_\_\_\_\_ Class \_\_\_\_\_ Date \_\_\_\_\_

1 c \_\_\_\_\_

- A ar
- B er
- C ir
- D or



2 f \_\_\_\_\_ n

- A ar
- B er
- C or
- D ear



3 b \_\_\_\_\_ d

- A ir



4 f \_\_\_\_\_ est

- A ar



5

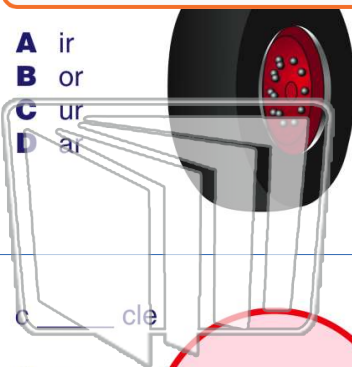


## PREVIEW

Please [Sign In](#) or [Sign Up](#) to download the printable version of this worksheet

7

- A ir
- B or
- C ur
- D ar

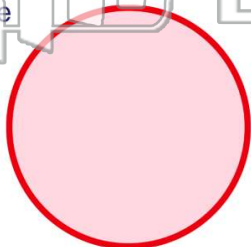


- A ear
- B ar
- C eer
- D ir



9

- A or
- B ear
- C ir
- D ar



10

- A ear
- B er
- C ar
- D ir



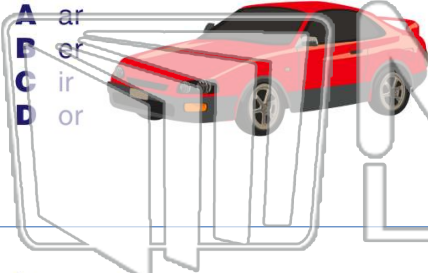


# R Controlled Vowels

Name \_\_\_\_\_ Class \_\_\_\_\_ Date \_\_\_\_\_

1 c \_\_\_\_\_

- A ar
- B er
- C ir
- D or



2 f \_\_\_\_\_ n

- A ar
- B er
- C or
- D ear



3 b \_\_\_\_\_ d

- A ir



4 f \_\_\_\_\_ est

- A ar



5

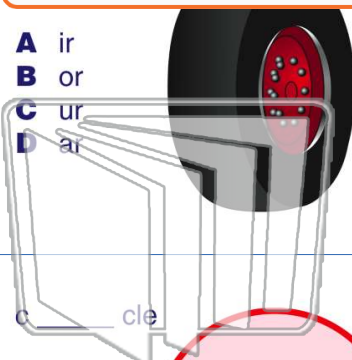


## PREVIEW

Please [Sign In](#) or [Sign Up](#) to download the printable version of this worksheet

7

- A ir
- B or
- C ur
- D ar

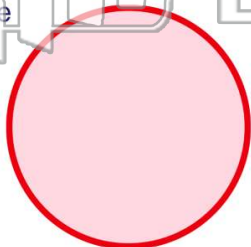


- A ear
- B ar
- C eer
- D ir



9

- A or
- B ear
- C ir
- D ar



10

- A ear
- B er
- C ar
- D ir

