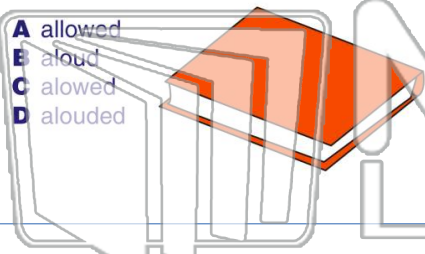




Name _____ Class _____ Date _____

1 The kindergarten teacher will read a funny book _____ to the children.

- A allowed
- B aloud
- C alowed
- D alouded



2 The robber was arrested and put into a small _____ at the police station.

- A cell
- B cil
- C sell
- D sill



3 It was hard for the girl to _____ the right dress for the dance.



4 We need five _____ work to hang in the gallery.

5

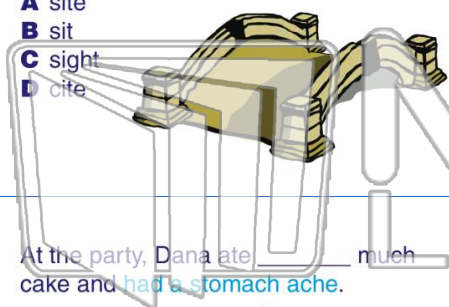


PREVIEW

Please [Sign In](#) or [Sign Up](#) to download the printable version of this worksheet

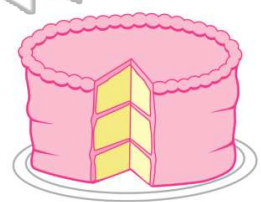
7

- A site
- B sit
- C sight
- D cite



9 At the party, Dana ate _____ much cake and had a stomach ache.

- A to
- B two
- C too
- D tow



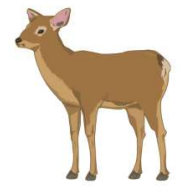
10 Out in the forest, the _____ keep warm by sleeping on the ground.

reported the day's progress to their supervisor.

- A foreman's
- B foremen
- C foremen's
- D foreman



- A deer
- B dear
- C deers
- D dears

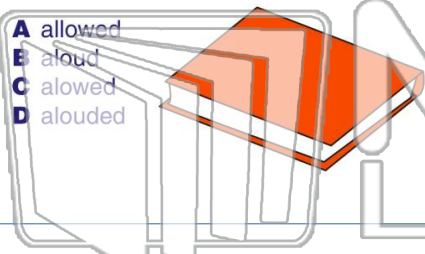




Name _____ Class _____ Date _____

1 The kindergarten teacher will read a funny book _____ to the children.

- A allowed
- B aloud
- C alowed
- D alouded



2 The robber was arrested and put into a small _____ at the police station.

- A cell
- B cil
- C sell
- D sil



3 It was hard for the girl to _____ the right dress for the dance.



4 We need five _____ work to hang in the gallery.

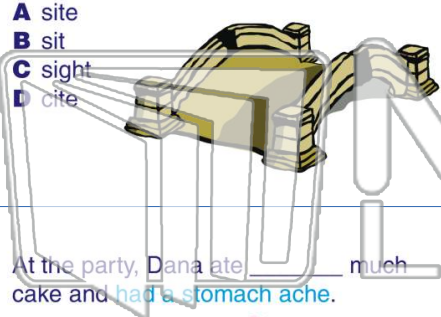


PREVIEW

Please [Sign In](#) or [Sign Up](#) to download the printable version of this worksheet

7 _____ at the side of the road.

- A site
- B sit
- C sight
- D cite



8 _____ reported the day's progress to their supervisor.

- A foreman's
- B foremen
- C foremen's
- D foreman



9 At the party, Dana ate _____ much cake and had a stomach ache.

- A to
- B two
- C too
- D tow



10 Out in the forest, the _____ keep warm by sleeping on the ground.

- A deer
- B dear
- C deers
- D dears

