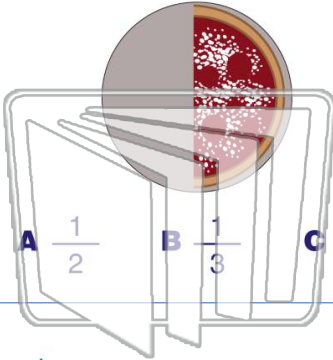


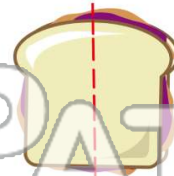


Name _____ Class _____ Date _____

1



2

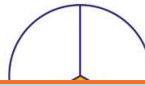


NEW PATH
LEARNING

3

$\frac{1}{4}$

4



5

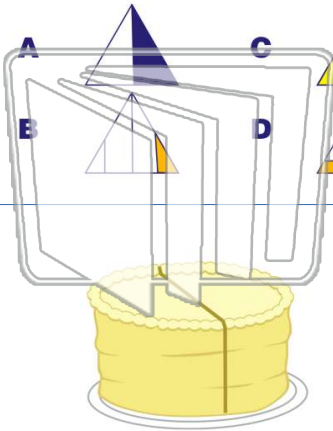


PREVIEW

Please [Sign In](#) or [Sign Up](#) to download the printable version of this worksheet

7

2

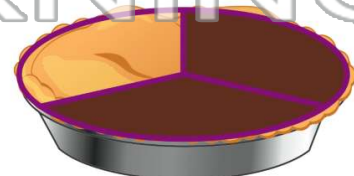


NEW PATH
LEARNING

9

A $\frac{1}{2}$ B $\frac{1}{3}$ C $\frac{1}{4}$

10

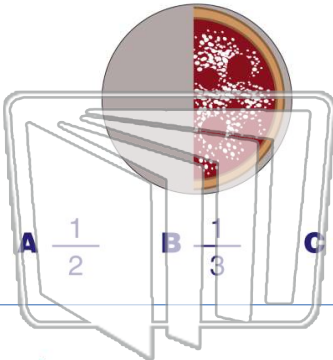


A $\frac{1}{2}$ B $\frac{1}{3}$ C $\frac{1}{4}$



Name _____ Class _____ Date _____

1



A $\frac{1}{2}$ B $\frac{1}{3}$ C $\frac{1}{4}$

2



A $\frac{1}{2}$ B $\frac{1}{3}$ C $\frac{1}{4}$

3

$\frac{1}{4}$

4



5

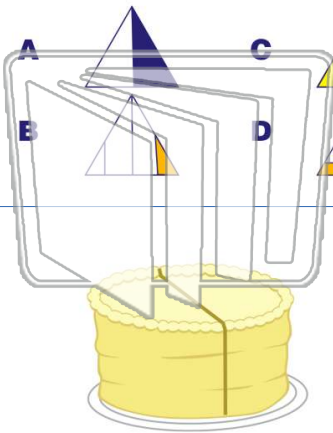


PREVIEW

Please [Sign In](#) or [Sign Up](#) to download the printable version of this worksheet

7

2



A $\frac{1}{2}$ B $\frac{1}{3}$ C $\frac{1}{4}$

10



A $\frac{1}{2}$ B $\frac{1}{3}$ C $\frac{1}{4}$

9

A

B