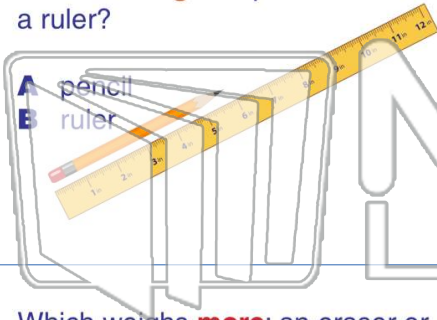




Name \_\_\_\_\_ Class \_\_\_\_\_ Date \_\_\_\_\_

1 Which is **longer**: a pencil or a ruler?



- A pencil
- B ruler

2 Which holds **more**: a cup or a bucket?



- A bucket
- B cup

3 Which weighs **more**: an eraser or a box of crayons?



4 Which weighs **more than** a pound?

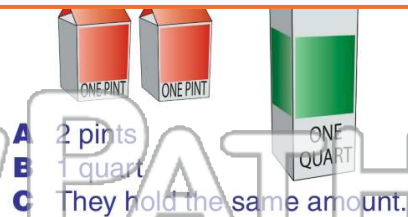
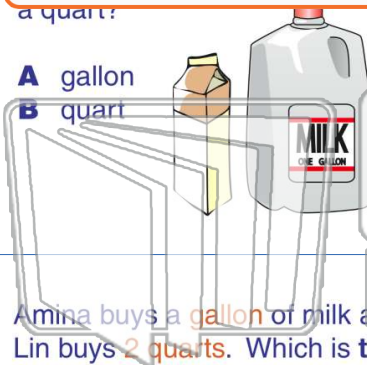


## PREVIEW

Please [Sign In](#) or [Sign Up](#) to download the printable version of this worksheet

7 a quart:

- A gallon
- B quart



- A 2 pints
- B 1 quart
- C They hold the same amount.

9 Amina buys a **gallon** of milk and Lin buys **2 quarts**. Which is **true**?

- A Amina has more milk.
- B Lin has more milk.
- C They have the same amount of milk.
- D 1 quart = 1 gallon



10 Choose the object that holds the **most water**?

- A fish bowl
- B swimming pool
- C drinking glass
- D bathtub



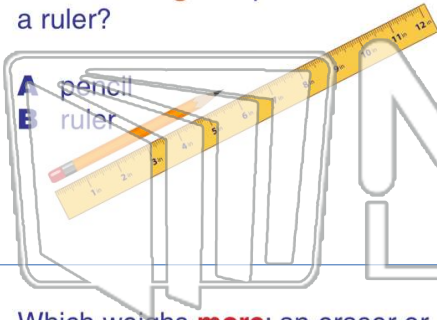


# Comparing Objects

Math  
B

Name \_\_\_\_\_ Class \_\_\_\_\_ Date \_\_\_\_\_

1 Which is **longer**: a pencil or a ruler?



- A pencil
- B ruler

2 Which holds **more**: a cup or a bucket?



- A bucket
- B cup

3 Which weighs **more**: an eraser or a box of crayons?



4 Which weighs **more than** a pound?

5



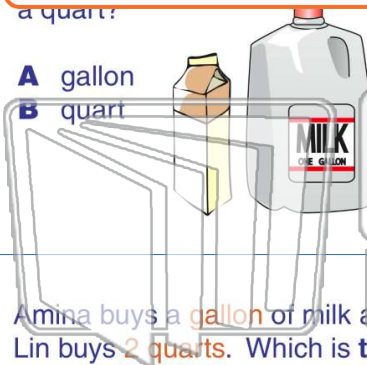
## PREVIEW

Please [Sign In](#) or [Sign Up](#) to download the printable version of this worksheet

7

a quart:

- A gallon
- B quart



A

9 Amina buys a **gallon** of milk and Lin buys **2 quarts**. Which is **true**?

- A Amina has more milk.
- B Lin has more milk.
- C They have the same amount of milk.
- D 1 quart = 1 gallon



A

10 Choose the object that holds the **most water**?



- A 2 pints
- B 1 quart
- C They hold the same amount.

- A fish bowl
- B swimming pool
- C drinking glass
- D bathtub



B