

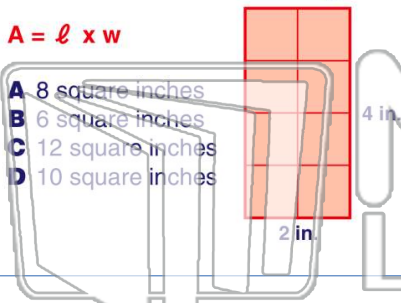


Name \_\_\_\_\_ Class \_\_\_\_\_ Date \_\_\_\_\_

1 What is the **area** of this rectangle?

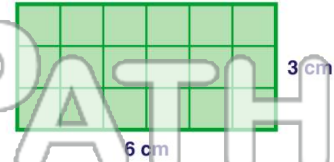
$A = \ell \times w$

- A 8 square inches
- B 6 square inches
- C 12 square inches
- D 10 square inches



2 What is the **perimeter** of this rectangle?

- A 14 cm
- B 20 cm
- C 16 cm
- D 18 cm



3 A square has an area of **36 square centimeters**. What is the length of each **side** of the square?

4 The area of a square is 9 square inches. What is the **perimeter** of this square?

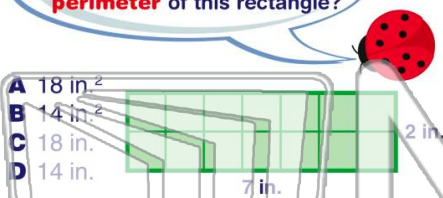


## PREVIEW

Please [Sign In](#) or [Sign Up](#) to download the printable version of this worksheet

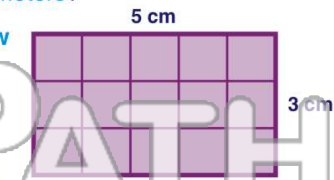
7 What is the **perimeter** of this rectangle?

- A 18 in.<sup>2</sup>
- B 14 in.<sup>2</sup>
- C 18 in.
- D 14 in.



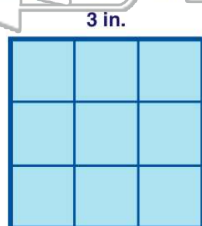
8 What is the **area** of this rectangle?

- A 13 cm<sup>2</sup>
- B 15 cm<sup>2</sup>
- C 8 cm<sup>2</sup>
- D 16 cm<sup>2</sup>



9 What is the **perimeter** of this square?

- A 12 inches
- B 9 inches
- C 3 inches
- D 15 inches



10 A rectangle is **6 inches long** and **3 inches wide**. What is the **perimeter** of this rectangle?

- A 12 inches
- B 18 inches
- C 16 inches
- D 14 inches



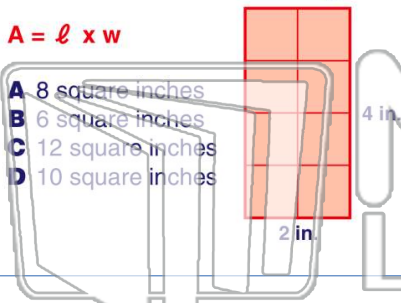


Name \_\_\_\_\_ Class \_\_\_\_\_ Date \_\_\_\_\_

1 What is the **area** of this rectangle?

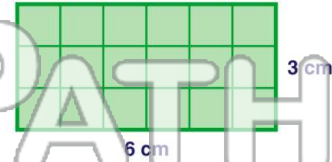
$A = \ell \times w$

- A 8 square inches
- B 6 square inches
- C 12 square inches
- D 10 square inches



2 What is the **perimeter** of this rectangle?

- A 14 cm
- B 20 cm
- C 16 cm
- D 18 cm



3 A square has an area of **36 square centimeters**. What is the length of each **side** of the square?

4 The area of a square is 9 square inches. What is the **perimeter** of this square?

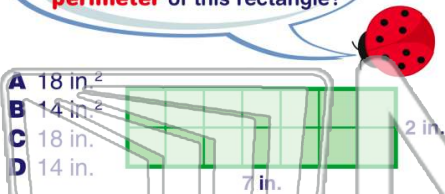


## PREVIEW

Please [Sign In](#) or [Sign Up](#) to download the printable version of this worksheet

7 What is the **perimeter** of this rectangle?

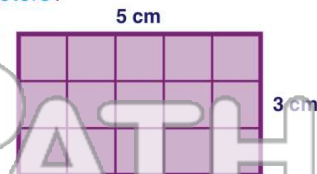
- A 18 in.<sup>2</sup>
- B 14 in.<sup>2</sup>
- C 18 in.
- D 14 in.



8 What is the **area** of this rectangle?

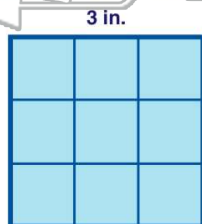
$A = \ell \times w$

- A 13 cm<sup>2</sup>
- B 15 cm<sup>2</sup>
- C 8 cm<sup>2</sup>
- D 16 cm<sup>2</sup>



9 What is the **perimeter** of this square?

- A 12 inches
- B 9 inches
- C 3 inches
- D 15 inches



10 A rectangle is **6 inches long** and **3 inches wide**. What is the **perimeter** of this rectangle?

- A 12 inches
- B 18 inches
- C 16 inches
- D 14 inches

