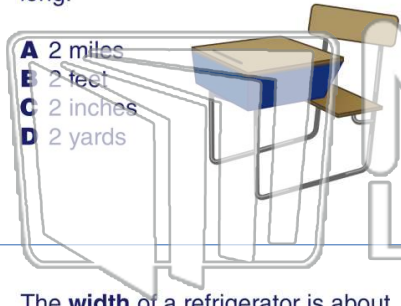




Name _____ Class _____ Date _____

1 A **student desk** is about _____ long.

- A 2 miles
- B 2 feet
- C 2 inches
- D 2 yards



2 A **softball bat** is about _____ long.

- A 1 yard
- B 1 mile
- C 1 inch
- D 1 foot



3 The **width** of a refrigerator is about _____.

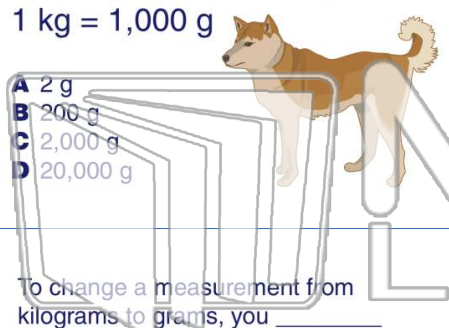
4 The **distance** from Indiana to Utah is about _____.



PREVIEW

Please [Sign In](#) or [Sign Up](#) to download the printable version of this worksheet

7 How many grams does the dog weigh?
1 kg = 1,000 g



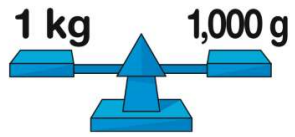
- A 2 g
- B 200 g
- C 2,000 g
- D 20,000 g

8 How many grams are there in 4,100 milligrams?
1 g = 1,000 mg

- A 340 mg
- B 3,400 mg
- C 34,000 mg
- D 340,000 mg

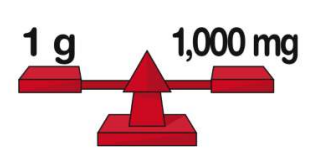
9 To change a measurement from kilograms to grams, you _____ the measurement by 1,000.

- A multiply
- B divide
- C add
- D subtract



10 How many grams are there in 4,100 milligrams?
1 g = 1,000 mg

- A 41 g
- B 4.1 g
- C 0.41 g
- D 0.041 g

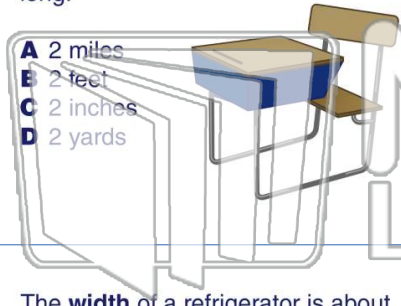




Name _____ Class _____ Date _____

1 A student desk is about _____ long.

- A 2 miles
- B 2 feet
- C 2 inches
- D 2 yards



2 A softball bat is about _____ long.

- A 1 yard
- B 1 mile
- C 1 inch
- D 1 foot



3 The width of a refrigerator is about _____.

4 The distance from Indiana to Utah is about _____.



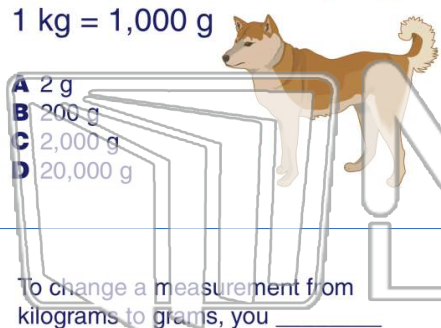
PREVIEW

Please [Sign In](#) or [Sign Up](#) to download the printable version of this worksheet

7 How many grams does the dog weigh?

1 kg = 1,000 g

- A 2 g
- B 200 g
- C 2,000 g
- D 20,000 g

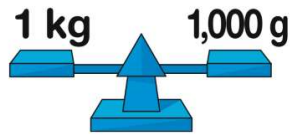


8 How many grams are there in 1,000 mg?

- A 340 mg
- B 3,400 mg
- C 34,000 mg
- D 340,000 mg

9 To change a measurement from kilograms to grams, you _____ the measurement by 1,000.

- A multiply
- B divide
- C add
- D subtract



10 How many grams are there in 4,100 milligrams?

1 g = 1,000 mg

- A 41 g
- B 4.1 g
- C 0.41 g
- D 0.041 g

