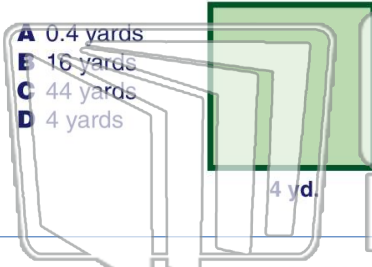




Name _____ Class _____ Date _____

1 If the length of one side of a square is 4 yards, what is the **perimeter**?

- A 0.4 yards
- B 16 yards
- C 44 yards
- D 4 yards



2 If a rectangle's length is 19 m and its width is 3 m, the **perimeter** is _____.



- A 44 meters
- B 21 meters
- C 42 meters
- D 68 meters

3 If a rectangle whose length is 4 inches and width is 11 inches, the **perimeter** is _____.

4 For a regular octagon whose sides are all 7.2 units long, the **perimeter** of the octagon is _____.

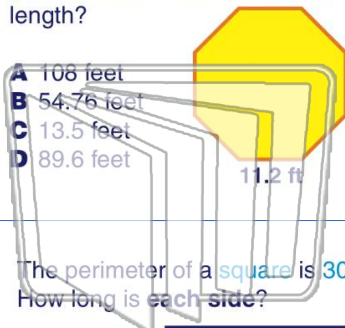


PREVIEW

Please [Sign In](#) or [Sign Up](#) to download the printable version of this worksheet

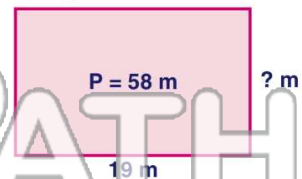
7 garden if each side is 11.2 feet in length?

- A 108 feet
- B 54.76 feet
- C 13.5 feet
- D 89.6 feet



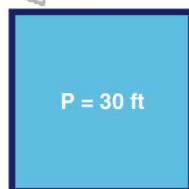
width of the rectangle?

- A 10 meters
- B 12 meters
- C 85 meters
- D 14 meters



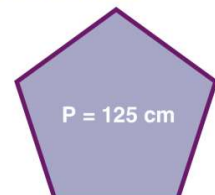
9 The perimeter of a square is 30 feet. How long is each side?

- A 2 feet
- B 5.4 feet
- C 6 feet
- D 7.5 feet



10 The perimeter of a regular pentagon is 125 centimeters. How long is each side?

- A 10 centimeters
- B 20 centimeters
- C 25 centimeters
- D 50 centimeters

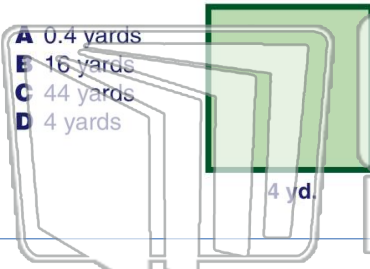




Name _____ Class _____ Date _____

1 If the length of one side of a square is 4 yards, what is the **perimeter**?

- A 0.4 yards
- B 16 yards
- C 44 yards
- D 4 yards



2 If a rectangle's length is 19 m and its width is 3 m, the **perimeter** is _____.



- A 44 meters
- B 21 meters
- C 42 meters
- D 68 meters

3 If a rectangle whose length is 4 inches and width is 11 inches, the **perimeter** is _____.

4 For a regular octagon whose sides are all 7.2 units long, the **perimeter** of the octagon is _____.

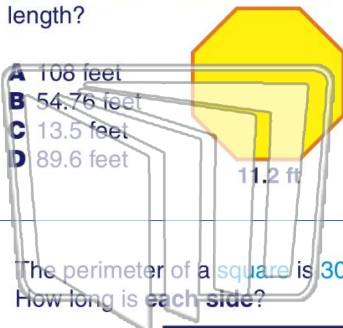


PREVIEW

Please [Sign In](#) or [Sign Up](#) to download the printable version of this worksheet

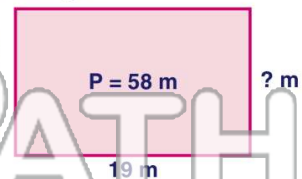
7 garden if each side is 11.2 feet in length?

- A 108 feet
- B 54.76 feet
- C 13.5 feet
- D 89.6 feet



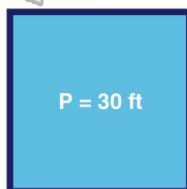
width of the rectangle?

- A 10 meters
- B 12 meters
- C 85 meters
- D 14 meters



9 The perimeter of a square is 30 feet. How long is each side?

- A 2 feet
- B 5.4 feet
- C 6 feet
- D 7.5 feet



10 The perimeter of a regular pentagon is 125 centimeters. How long is each side?

- A 10 centimeters
- B 20 centimeters
- C 25 centimeters
- D 50 centimeters

