

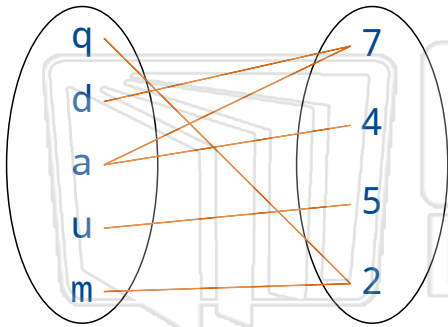


Domain and Range Mapping Diagrams

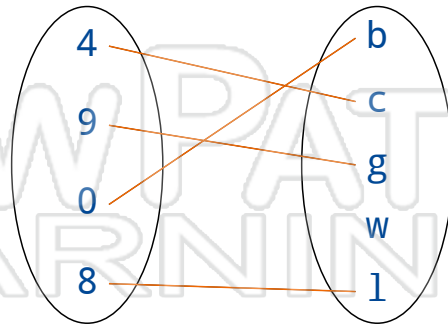
Math

Name _____ Class _____ Date _____

Determine whether each diagram depicts a function or not.



Function: _____

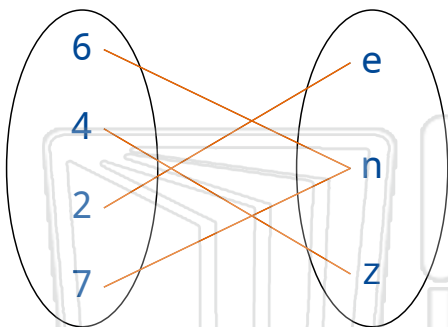


Function: _____

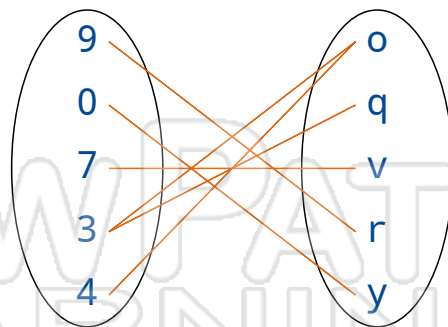


PREVIEW

Please [Sign In](#) or [Sign Up](#) to download the printable version of this worksheet



Function: _____



Function: _____

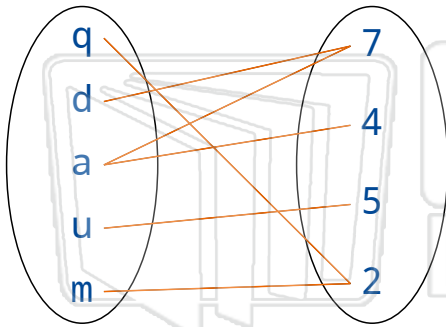


Domain and Range Mapping Diagrams - Answer Key

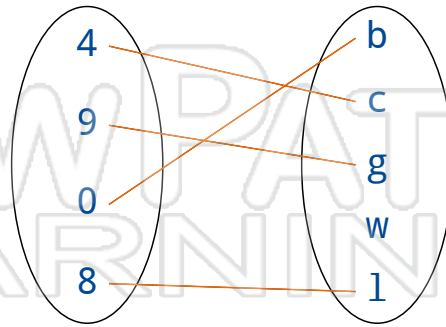
Math

Name _____ Class _____ Date _____

Determine whether each diagram depicts a function or not.



Function:
No

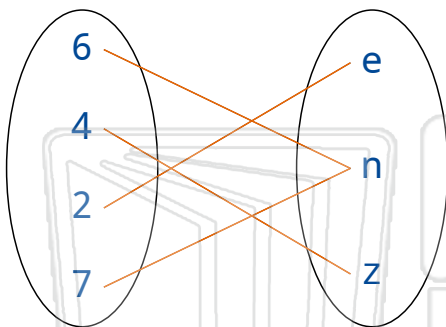


Function:
Yes

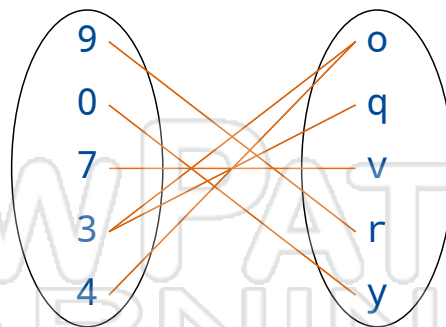


PREVIEW

Please [Sign In](#) or [Sign Up](#) to download the printable version of this worksheet



Function:
Yes



Function:
No