

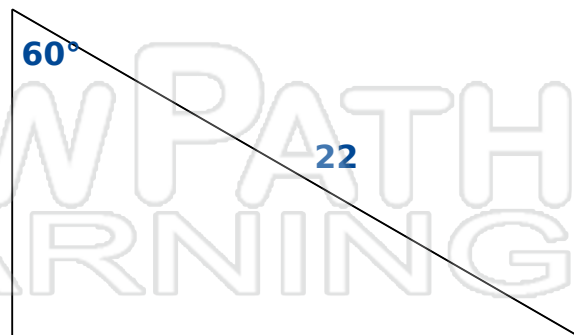
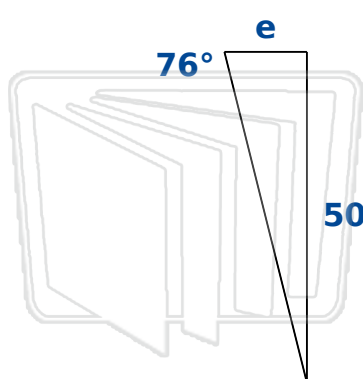


Solving Right Triangles

Math

Name _____ Class _____ Date _____

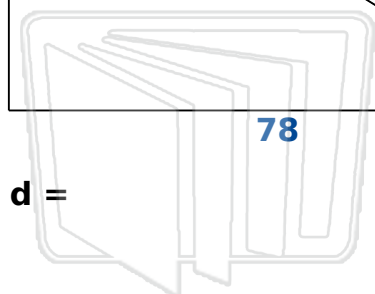
Find the side indicated by the variable. Round to the nearest tenth.



PREVIEW

Please [Sign In](#) or [Sign Up](#) to download the printable version of this worksheet

48



$d =$

78

$i =$

i

47°

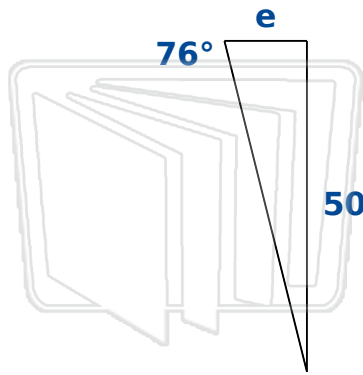


Solving Right Triangles - Answer Key

Math

Name _____ Class _____ Date _____

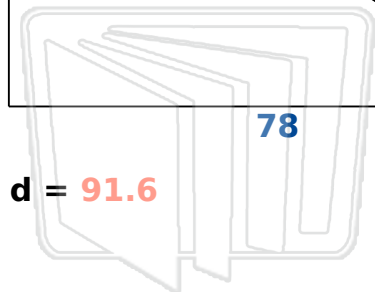
Find the side indicated by the variable. Round to the nearest tenth.



PREVIEW

Please [Sign In](#) or [Sign Up](#) to download the printable version of this worksheet

48



$d = 91.6$

i



$i = 9.3$