

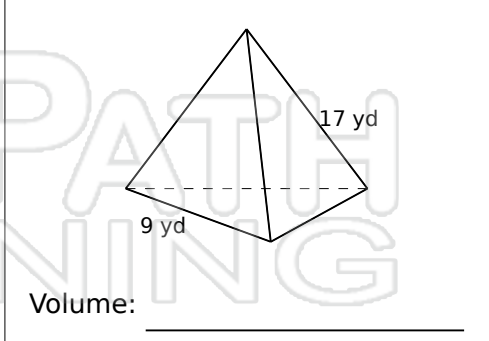
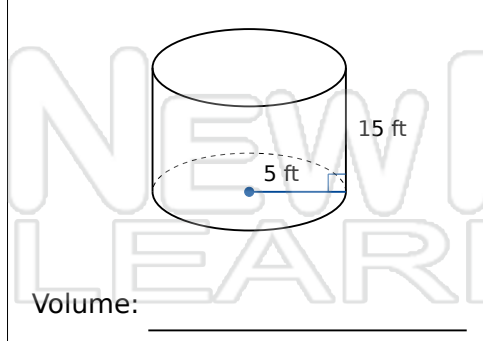
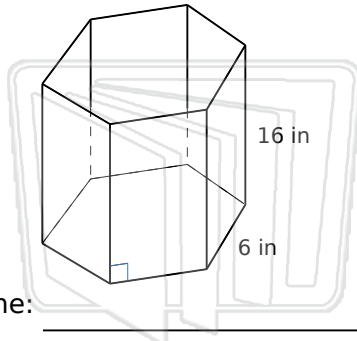


Volume of Solid Figures

Math

Name _____ Class _____ Date _____

Find the volume of each figure.
Round answers to the nearest hundredth, if necessary.



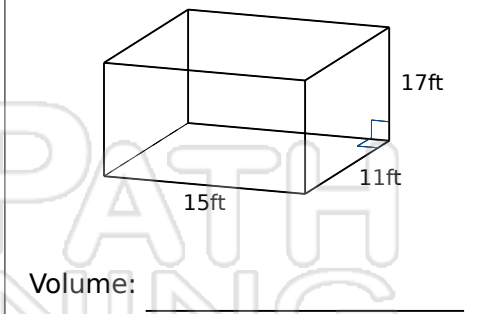
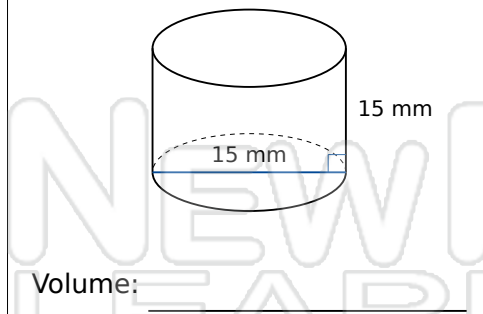
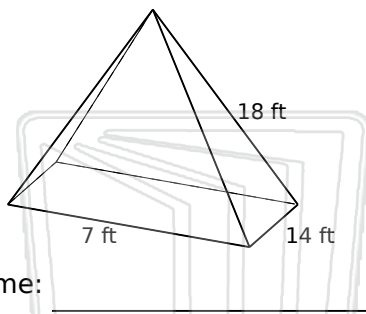
Volume: _____

Volume: _____

PREVIEW

Please [Sign In](#) or [Sign Up](#) to download the printable version of this worksheet

Volume: _____



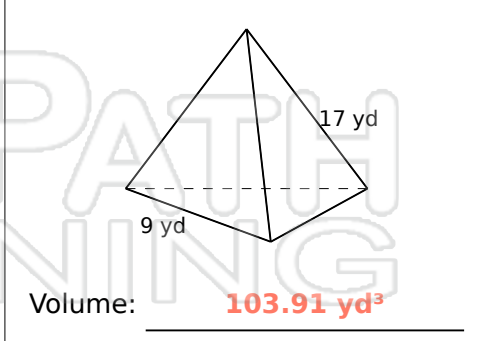
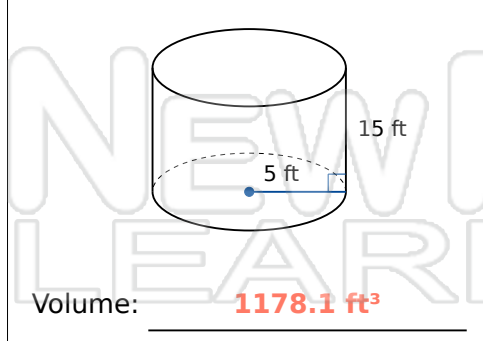
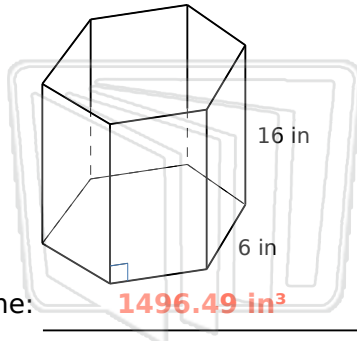


Volume of Solid Figures - Answer Key

Math

Name _____ Class _____ Date _____

Find the volume of each figure.
Round answers to the nearest hundredth, if necessary.



Volume _____

Volume _____

PREVIEW

Please [Sign In](#) or [Sign Up](#) to download the printable version of this worksheet

Volume _____

