



Name _____ Class _____ Date _____

1 The TVA was granted the right to **take control of private property** to build on if necessary.

- A true
- B false



2 The TVA is under _____ ownership.

- A private
- B free
- C state
- D federal



NEW PATH LEARNING

3 How were **women affected** by the TVA?

- A The TVA did not affect women

4 During World War II, **hundreds of women** became armed security officers to guard the dams, power plants, and



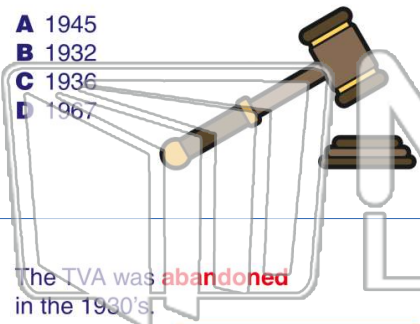
5

PREVIEW

Please [Sign In](#) or [Sign Up](#) to download the printable version of this worksheet

7

- A 1945
- B 1932
- C 1936
- D 1967



- A true
- B false



NEW PATH LEARNING

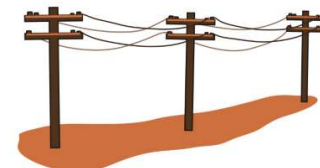
9 The TVA was **abandoned** in the 1930's.

- A true
- B false



10 Today, the TVA is the nation's **largest public power company**.

- A true
- B false





Name _____ Class _____ Date _____

1 The TVA was granted the right to **take control of private property** to build on if necessary.



- A true
- B false

2 The TVA is under _____ ownership.

- A private
- B free
- C state
- D federal



3 How were **women affected** by the TVA?

- A The TVA did not affect women

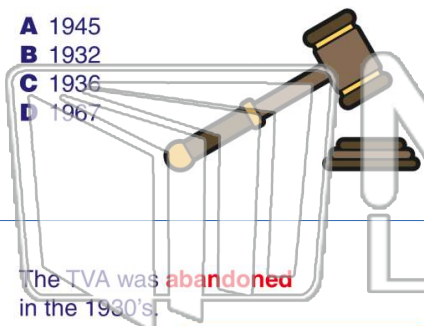
4 During World War II, **hundreds of women** became armed security officers to guard the dams, power plants, and



PREVIEW

Please [Sign In](#) or [Sign Up](#) to download the printable version of this worksheet

7
A 1945
B 1932
C 1936
D 1967



- A true
- B false



8
A true
B false

9
Today, the TVA is the nation's **largest public power company**.

- A true
- B false

